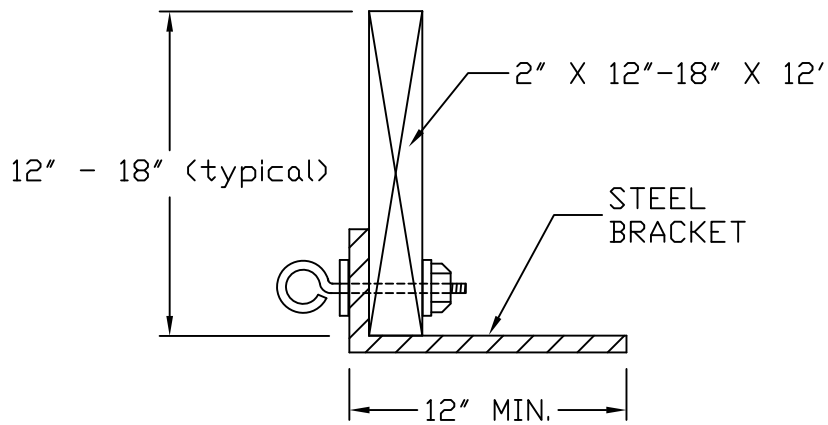




PROFILE



CROSS SECTION

REMOVABLE FORM DETAIL

N.T.S.

STANDARD DETAIL

GEOTEXTILE WRAPPED WALL
W/ REMOVABLE FORM

TENCATE
365 SOUTH HOLLAND DRIVE
PENDERGRASS, GA 30567

