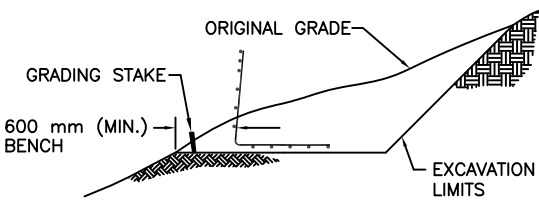
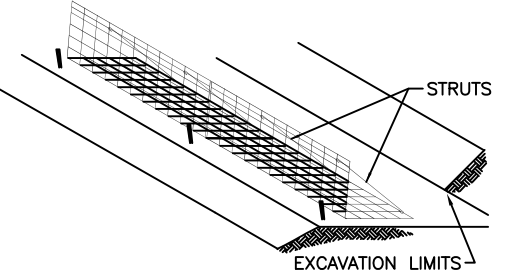
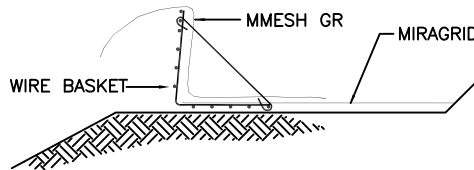
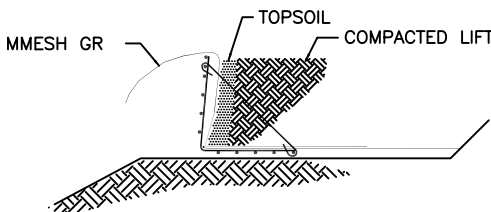
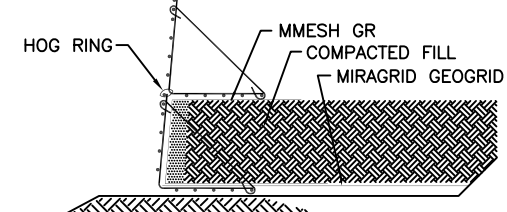
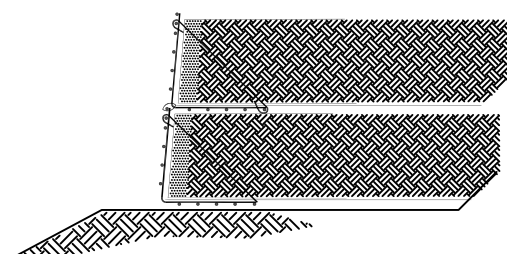
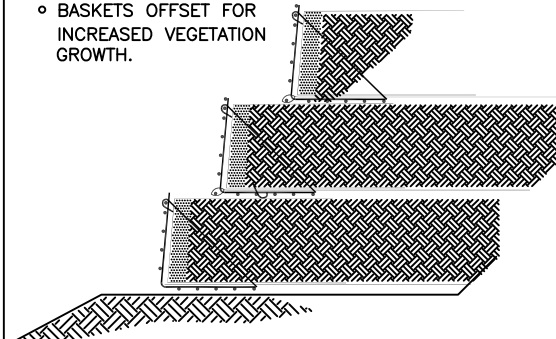


# CONSTRUCTION SEQUENCE

<ul style="list-style-type: none"> <li>◦ EXCAVATE FOR LEVEL BASE TO A LENGTH ADEQUATE FOR REINFORCEMENT EMBEDMENT.</li> <li>◦ SET GRADING STAKES AT A 6" OFFSET TO FACILITATE PROPER BASKET ALIGNMENT.</li> <li>◦ EMBED BOTTOM BASKET 6" BELOW FINISHED GRADE AT FRONT FACE OF WALL OR AS SHOWN ON WALL PROFILE.</li> </ul>  <p style="text-align: center;"><b>STEP 1</b></p>	<ul style="list-style-type: none"> <li>◦ FOR THE FIRST COURSE OF THE WALL, ALIGN BASKETS WITHOUT SPACES AND HOG RING TOGETHER</li> <li>◦ INSTALL STRUTS AT ABOUT 24" SPACING</li> </ul>  <p style="text-align: center;"><b>STEP 2</b></p>
<ul style="list-style-type: none"> <li>◦ PLACE PRIMARY REINFORCEMENT (MIRAGRID GEOGRID) AT ELEVATIONS SHOWN ON WALL PROFILE DRAWING.</li> <li>◦ DRAPE MMESH FABRIC OVER BASKET ALLOWING FOR THE REQUIRED WRAP EMBEDMENT</li> </ul>  <p style="text-align: center;"><b>STEP 3</b></p>	<ul style="list-style-type: none"> <li>◦ BACKFILL CAREFULLY TO ABOUT 1" - 2" ABOVE THE TOP HORIZONTAL BASKET WIRE OR AS REQUIRED BY THE ENGINEER</li> <li>◦ COMPACT TO REQUIRED DENSITY.</li> </ul>  <p style="text-align: center;"><b>STEP 4</b></p>
<ul style="list-style-type: none"> <li>◦ PULL MMESH BACK OVER COMPACTED FILL AND ANCHOR WITH SOIL.</li> <li>◦ SLIDE THE NEXT BASKET BACK AGAINST THE PRONGS OF THE LOWER MAT AND HOG RING USING RUNNING BOND (STAGGERED).</li> <li>◦ INSTALL HOG RINGS AND STRUTS TO SECOND LIFT.</li> </ul>  <p style="text-align: center;"><b>STEP 5</b></p>	<ul style="list-style-type: none"> <li>◦ REPEAT STEPS 2 THRU 5 UNTIL DESIRED HEIGHT OF WALL IS REACHED.</li> </ul>  <p style="text-align: center;"><b>STEP 6</b></p>
<ul style="list-style-type: none"> <li>◦ BASKETS OFFSET FOR INCREASED VEGETATION GROWTH.</li> </ul>  <p style="text-align: center;"><b>STEP 6 (OPTIONAL)</b></p>	

CONSTRUCTION DETAIL

VEGETATED MIRAMESH FACE  
WALL W/ WIRE BASKET

---

TENCATE

365 SOUTH HOLLAND DRIVE  
PENDERGRASS, GA 30567