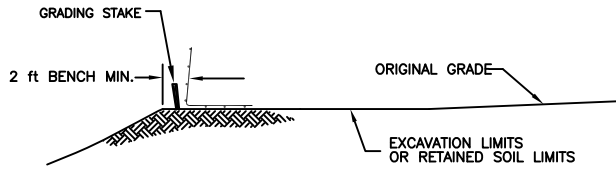


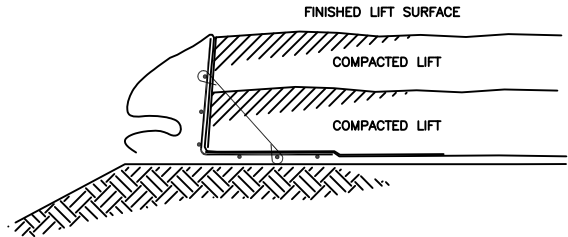
TYPICAL WIRE BASKET CONSTRUCTION SEQUENCE

- PREPARE A LEVEL BASE TO A LENGTH ADEQUATE FOR REINFORCEMENT EMBEDMENT.
- SET GRADING STAKES AT A 6" OFFSET TO FACILITATE PROPER BASKET ALIGNMENT.
- PLACE BOTTOM BASKET AT FINISHED GRADE AT FRONT FACE OF SLOPE OR AS SHOWN ON PROJECT DRAWINGS



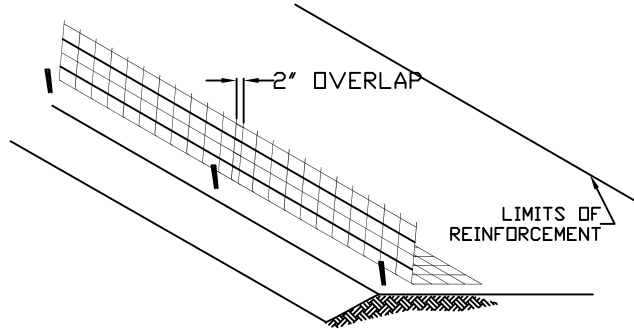
STEP 1

- BACKFILL CAREFULLY TO APPROXIMATELY 10" ABOVE THE BOTTOM OF THE EXCAVATION OR AS REQUIRED BY PROJECT THE SPECIFICATIONS.
- COMPACT TO PROPER DENSITY AND MOISTURE CONTENT AS REQUIRED BY PROJECT THE SPECIFICATIONS.
- REPEAT ABOVE STEPS UNTIL DESIRED ELEVATION IS REACHED FOR PLACEMENT OF NEXT ROW OF BASKET FACING.



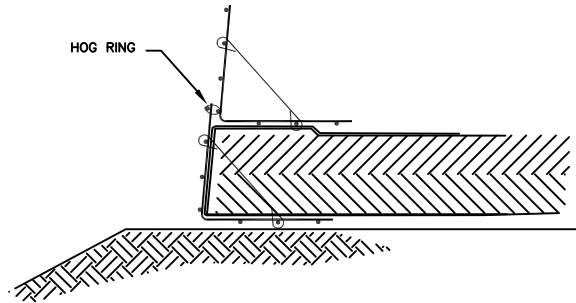
STEP 4

- FOR THE FIRST COURSE OF THE REINFORCED SOIL SLOPE, ALIGN BASKETS WITH A 2-INCH OVERLAP AND HOG RING TOGETHER.
- INSTALL STRUTS AT 24" (2 ft) SPACING ALONG BASKET FACING.



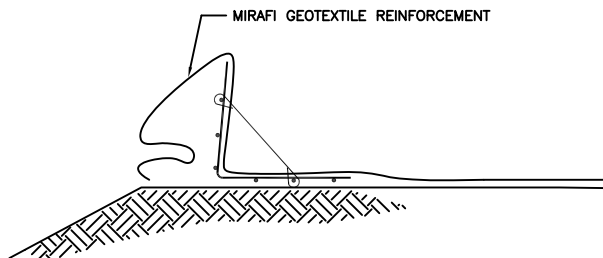
STEP 2

- PLACE THE REINFORCEMENT FACE WRAP OVER THE COMPACTED FILL AND ANCHOR WITH SOIL.
- SLIDE THE NEXT BASKET INTO POSITION RELATIVE TO THE TOP OF THE LOWER BASKET AND HOG RING (IF REQUIRED) USING RUNNING BOND (STAGGERED).
- ATTACH SUPPORT STRUTS AND HOG RINGS (IF REQUIRED) TO SECOND LIFT.



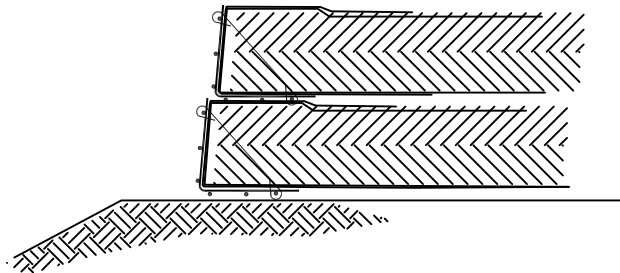
STEP 5

- PLACE PRIMARY REINFORCEMENT TO ELEVATIONS AND LENGTHS SHOWN ON MSE WALL PROFILES.
- DRAPE ADEQUATE FACE WRAP MATERIAL LENGTH OVER BASKET TO ALLOW FOR REQUIRED WRAP EMBEDMENT.



STEP 3

- REPEAT STEPS 2 THRU 5 UNTIL DESIRED HEIGHT OF SLOPE IS REACHED.



STEP 6

REVISION DATE: 12/08/2000

STANDARD DETAIL

TYPICAL WRAP-FACED WALL DETAIL
W/ WIRE FORM FACING

TENCATE
365 SOUTH HOLLAND DRIVE
PENDERGRASS, GA 30567

