

Handgun and Edged Blade Resistance

Product Series	Model #	Configuration	Curvature	Construction	NIJ Level Equivalency	NIJ 0101.06 Certified ¹	Special Threat Tested ²	Thickness ³	Weight ³ 10" x 12" SAPI/ESAPI CUT (Polyurea)	Available Sizes	SPEER .357 Cal SIG	125gr TMJ FN	SPEER .44 Cal MAG	240gr SJHP	Win Ranger 9mm	127gr +P+ T-Series	SPEER .357 Cal SIG	125gr GDHP	Win .357 Cal SIG	100gr Frangible SF	7.62mm x 25mm	86gr Tokarev SURN	FN 5.7mm x 28mm	40gr (SS197SR)	FN 5.7mm x 28mm	27gr (SS195LF)	NIJ Single-Edged Blade (P1) E1 & E2	NIJ Double-Edged Blade (S1) E1 & E2
Cratus™ 1000SA	D1537-SC	Stand-Alone	Single-Curve	Polyethylene	Handgun / Knife	-	Yes	0.34	1.28 lbs	10	X	X	X	X	X	X	X	X	X	X	X	X	X	X	X	X	X	X
Cratus™ 1200SA	D1537-MC	Stand-Alone	Multi-Curve	Polyethylene	Handgun / Knife	-	Yes	0.34	1.28 lbs	10	X	X	X	X	X	X	X	X	X	X	X	X	X	X	X	X	X	X

Handgun and Rifle Resistance

Product Series	Model #	Configuration	Curvature	Construction	Equivalent NIJ Level	NIJ 0101.06 Certified ¹	Special Threat Tested ²	Thickness ³	Weight ³ 10" x 12" SAPI/ESAPI CUT (Polyurea)	Available Sizes	SPEER .357 Cal SIG	125gr TMJ FN	SPEER .44 Cal MAG	240gr SJHP	5.56mm x 45mm (M193)	5.56mm x 45mm (M855 / SS109)	7.62mm x 39mm (PS Ball / MSC)												
Cratus™ 2000SA	D1789	Stand-Alone	Multi-Curve	Ceramic / Composite	Handgun / Rifle	-	Yes	0.55	5.10 lbs	18	X	X	X	X	X	X	X												

Rifle Resistance

Product Series	Model #	Configuration	Curvature	Construction	Equivalent NIJ Level	NIJ 0101.06 Certified ¹	Special Threat Tested ²	Thickness ³	Weight ³ 10" x 12" SAPI/ESAPI CUT (Polyurea)	Available Sizes	5.45mm x 39mm (7N6 MSC)	5.56mm x 45mm (M193)	5.56mm x 45mm (M855 / SS109)	5.56mm x 45mm (M855A1)	7.62mm x 39mm (PS Ball / MSC)	7.62mm x 39mm (API BZ)	7.62mm x 51mm (M80)	7.62mm x 51mm (M61)	7.62mm x 54Rmm (LPS)	7.62mm x 54Rmm (API B32)	7.62mm x 63mm (M2AP)
Cratus™ 3000SA	D1520	Stand-Alone	Multi-Curve	Polyethylene	Rifle (III Plus)	Yes	Yes	1.05	3.26 lbs	14		X			X		X				
Cratus™ 3200SA	D1557	Stand-Alone	Multi-Curve	Ceramic / Polyethylene	Rifle (III Plus)	Yes	Yes	1.20	5.00 lbs	14			X		X		X				
Cratus™ 3400SA	D1670	Stand-Alone	Multi-Curve	Alloy / Polyethylene	Rifle (III Plus)	Yes	Yes	0.40	7.30 lbs	14		X	X		X		X				
Cratus™ 3600SA	D1652	Stand-Alone	Multi-Curve	Polyethylene	Rifle (III Plus)	Yes	Yes	1.07	2.30 lbs	14					X		X				
Cratus™ 4200SA	D1615	Stand-Alone	Multi-Curve	Ceramic / Composite	Rifle (IV Plus)	Yes	Yes	1.20	9.00 lbs	14			X	X		X		X		X	X
Cratus™ 4400SA	D1600	Stand-Alone	Multi-Curve	Ceramic / Polyethylene	Rifle (IV Plus)	Yes	Yes	1.20	7.40 lbs	14			X	X		X		X		X	X
Cratus™ 5200SA	D1581	Stand-Alone	Multi-Curve	Ceramic / Polyethylene	Rifle (III/IV Plus)	Yes	Yes	1.30	7.10 lbs	14			X	X		X		X		X	X
Cratus™ 6000IC	D1472	In-Conjunction with 1.07 psf	Multi-Curve	Ceramic / Polyethylene	Rifle (III Plus)	-	Yes	0.90	4.30 lbs	8			X				X		X		
Cratus™ 6200IC	D1552	In-Conjunction with 1.07 psf	Multi-Curve	Ceramic / Polyethylene	Rifle (IV Plus)	-	Yes	0.90	5.75 lbs	8			X				X		X	X	X
Cratus™ 6400SA	D1684	Stand-Alone	Multi-Curve	Ceramic / Polyethylene	Rifle (III Plus)	-	Yes	0.55	4.30 lbs	8	X		X	X	X	X					
Cratus™ 8000SA	D1841	Stand-Alone	Flat	Alloy	Rifle (III Plus)	-	Yes	0.25	6.45 lbs	14					X		X				
Cratus™ 8025SA	D1844	Stand-Alone	Single-Curve	Alloy	Rifle (III Plus)	-	Yes	0.25	6.55 lbs	14					X		X				
Cratus™ 8075SA	D1846	Stand-Alone	Multi-Curve	Alloy	Rifle (III Plus)	-	Yes	0.20	6.25 lbs	14		X	X		X		X				
Cratus™ 8100SA	D1842	Stand-Alone	Flat	Alloy	Rifle (III Plus)	-	Yes	0.30	7.65 lbs	14		X	X		X		X				
Cratus™ 8125SA	D1845	Stand-Alone	Single-Curve	Alloy	Rifle (III Plus)	-	Yes	0.30	7.75 lbs	14		X	X		X		X				
Cratus™ 8400SA	D1779	Stand-Alone	Single-Curve	Ceramic / Composite	Rifle (IV)	-	Yes	0.75	8.20 lbs	2											X



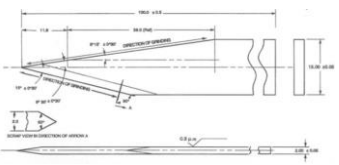
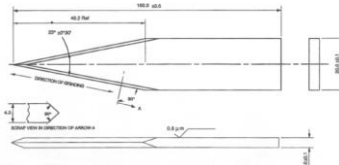
¹ NIJ 0101.06 Certified - indicates the series passed the full NIJ 0101.06 Protocol at an independent NIJ laboratory, and "is" compliant (aka certified), governed by the NIJ, and posted to the NIJ Compliance Product List (CPL).

² Special Threat Tested - indicates the series has been tested against a variety of ammunition and/or edged blades at an independent NIJ laboratory (i.e. Chesapeake Defense Services) and is not governed by the NIJ.

³ Weight measurements are +/- 4 % or .50 pounds, whichever is greater. Thickness measurements are +/- .125 inches. CR-600IC, CR-6200IC and CR-6400SA weights are for size Medium (9.50" x 12.50") SAPI/ESAPI Cut.

TenCate Advanced Armor (TCAA) Threat Matrix

Description	SPEER .357 Cal SIG 125gr TMJ FN NIJ 0101.06 Type IIIA	SPEER .44 Cal MAG 240gr SJHP NIJ 0101.06 Type IIIA	Winchester Ranger 9mm 127gr +P+ T-Series	SPEER .357 Cal SIG 125gr GDHP	Winchester .357 Cal SIG 100gr Frangible SF	7.62mm x 25mm 86gr Tokarev SJRN	FN 5.7mm x 28mm 40gr (SS197SR)	FN 5.7mm x 28mm 27gr (SS195LF)	5.45mm x 39mm (7N6 MSC)	5.56mm x 45mm (M193)	5.56mm x 45mm (M855 / SS109)	5.56mm x 45mm (M855A1)	7.62mm x 39mm (PS Ball / MSC)	7.62mm X 39mm (API BZ)	7.62mm x 51mm (M80) NIJ 0101.06 Type III	7.62mm x 51mm (M61)	7.62mm x 54Rmm (LP5)	7.62mm x 54Rmm (API B32)	7.62mm x 63mm (M2AP) NIJ 0101.06 Type IV
Weapon	Handgun	Handgun	Handgun	Handgun	Handgun	Handgun	Handgun	Handgun	Rifle	Rifle	Rifle	Rifle	Rifle	Rifle	Rifle	Rifle	Rifle	Rifle	Rifle
Diameter	0.357 in	.44 in	9 mm	.357 in	.357 in	7.62 mm	5.7 mm	5.7 mm	5.45 mm	5.56 mm	5.56 mm	5.56 mm	7.62 mm	7.62 mm	7.62 mm	7.62 mm	7.62 mm	7.62 mm	7.62 mm
Weight	125 gr	240 gr	127 gr	125 gr	100 gr	86 gr	40 gr	27 gr	53 gr	55 gr	62 gr	62 gr	123 gr	121 gr	147 gr	150 gr	148 gr	160 gr	166 gr
Shape	TMJ FN	SJHP	JHP	GDHP	FN	SJ RN	Polymer Tip	HP	FMJ	FMJ	FMJ	Steel Arrowhead	FMJ	FMJ	FMJ	FMJ	FMJ	FMJ	FMJ
Class	-	-	-	-	-	-	-	-	-	-	-	-	-	Armor Piercing	-	Armor Piercing	-	Armor Piercing	Armor Piercing
Penetrator	None	None	None	Bonded Jacket	Copper/Tin Composite	Steel Jacket	None	Aluminum Core	Mild Steel Core	None	Hardened Steel Core	Hardened Steel Core	Mild Steel Core	Hardened Steel Core	None	Hardened Steel Core	Mild Steel Core	Hardened Steel Core	Hardened Steel Core
Casing	NIJ Casing	NIJ Casing	19 mm	22 mm	19 mm	25 mm	28 mm	28 mm	39 mm	45 mm	45 mm	45 mm	39 mm	39 mm	51 mm	51 mm	54 mm	54 mm	63 mm
Velocity	1470 fps	1430 fps	1250 fps	1375 fps	1490 fps	1500 fps	1750 fps	1875 fps	2900 fps	3150 fps	3025 fps	3150 fps	2400 fps	2380 fps	2780 fps	2800 fps	2780 fps	2880 fps	2880 fps
Picture																			

Description	NIJ 0115.00 P1 "Single" Edged Blade 	NIJ 0115.00 S1 "Double" Edged Blade 
Picture		

* Pictures of knives are for example only. Actual NIJ P1 and S1 Edged Blades Instruments are in lower boxes.

Definitions
API - Armor Piercing Incendiary: Projectile has a hardened core and an incendiary charge as part of the projectile
FMJ - Full Metal Jacket: Design of the projectile
FN - Flat Nose: Design of the projectile
GDHP - GoldDot Hollow Point: Design of the projectile by SPEER Ammunition Company
MSC - Mild Steel Core: Type of the steel penetrator inside the projectile
SJHP - Semi-Jacketed Hollow Point: Design of the projectile
TMJ FN - Total Metal Jacket Flat Nose: Design of the projectile
mm - Millimeters / in - Inches: Diameter of the projectile and/or length of casing
gr - Grain: Weight of the projectile